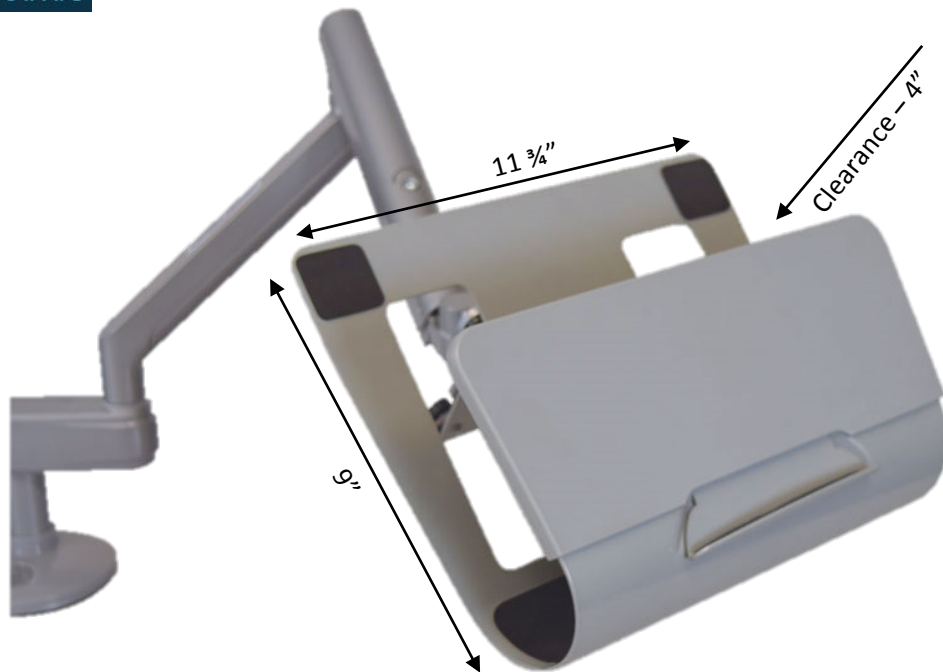




Laptop Holder



● SPECIFICATIONS	
Total Size	12"W x 9"H x 4"D
Laptop Clearance	4"
Back Height	9"
Document Holder	5 1/4"W x 9"H (Extended)
Composition	Steel
Colors	Silver or Black

The Right Height Laptop Holder is the perfect solution for your workspace. The angled mounting plate allows for it to sit autonomously on your worksurface or be attached to one of our Monitor Arms. The Laptop Holder elevates the laptop screen so you're not working with your neck and head pointed down. The Laptop Holder features a pulldown document holder which will eliminate the need for turning or craning your neck to view documents while working.

