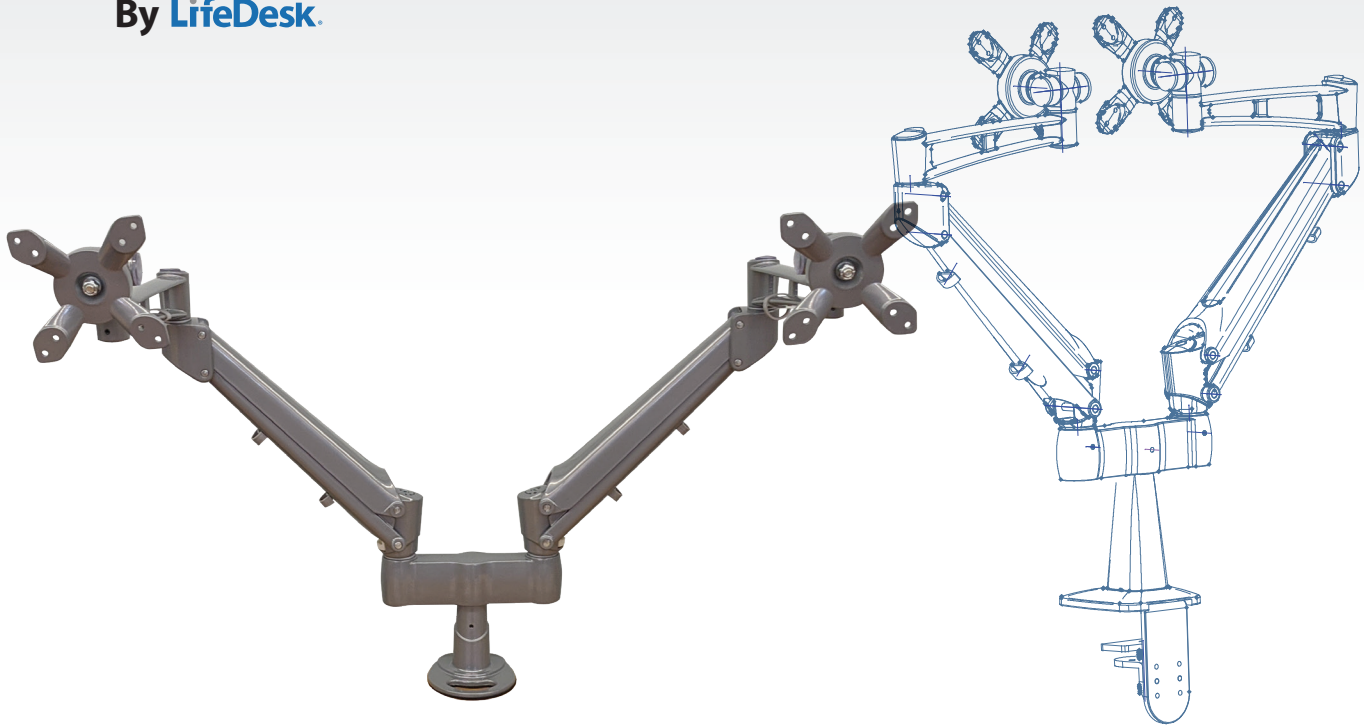


Heavy Duty Dual Monitor Arm

By LifeDesk.



SPECIFICATIONS

| | |
|----------------------------------|--------------------------------------|
| LCD size range | 17" to 32" |
| VESA | 75/100mm |
| Max loading | 19.8 – 28.6 lb |
| Monitor Tilt | ±45 deg |
| Monitor Rotation | ±180 degrees (left & right) |
| Pivot | 360 degrees (arm display) |
| Up & down range of arm on center | 30 CM |
| Color | Black or Silver powder coat finish |
| Base style options | Clamp & Grommet Mounts Both Included |
| ISO 9001 Certified | Yes |
| Warranty | 5 years on parts |